

## Block Diagram

A1 Control unit, airbag

H1.4 Telltale, airbag

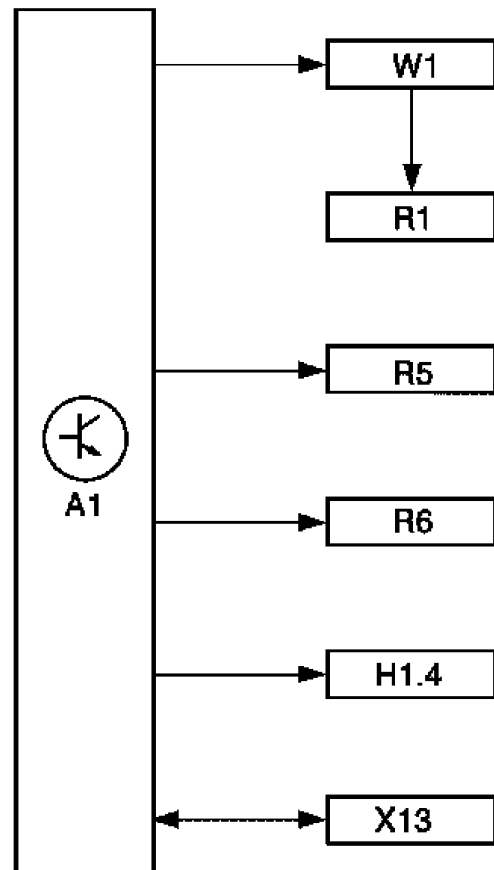
R1 Squib, airbag unit, driver's

R5 Squib, seat belt tensioner, driver's

R6 Squib, seat belt tensioner, passenger's

W1 Contact unit

X13 Diagnostic connector



T 8729